

SNAKE.2
ARMCHAIRS

roberto cavalli
HOME
INTERIORS



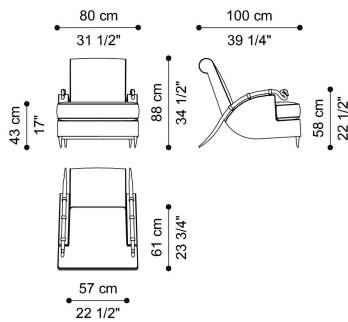
SNAKE.2 ARMCHAIRS

DESCRIPTION

Structure in poplar wood and foam.
Upholstery in fabric or leather from the collection.
Snake arms and feet in cast brass with Gold finishing for Snake collection only.

DIMENSIONS

ARMCHAIR C.SN2.221.A



L 80 D 100 H 88 CM

FEET/ARMRESTS

METAL



Metal Gold - Glossy

UPHOLSTERY

FABRIC / LEATHER

[download the file in the product page](#)

ACCESSORIES

DECORATIVE CUSHIONS

[download the file in the product page](#)

SNAKE.2
ARMCHAIRS