

MIWI
CHAIRS

roberto cavalli
HOME
INTERIORS



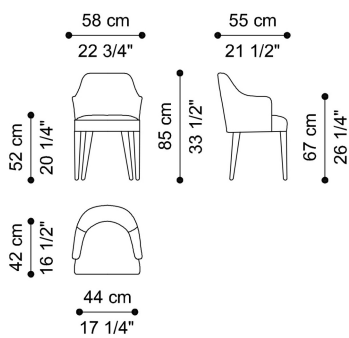
DESCRIPTION

Structure in solid oak, variable thickness expansive polyurethane foam and polyester fibre.
Curved backrest in multilayer poplar wood.
Upholstery in fabric or leather from the collection.

DIMENSIONS

CHAIR WITH ARMRESTS

C.MIW.132.A



L 58 D 55 H 85 CM

UPHOLSTERY

FABRIC / LEATHER

[download the file in the product page](#)