

COSMOPOLITAN  
ARMCHAIRS

roberto cavalli  
HOME  
INTERIORS



## DESCRIPTION

Seat cushion in poplar wood and outdoor foam.

Upholstery in outdoor fabric from the collection.

Metal base in the outdoor finishings from the collection.

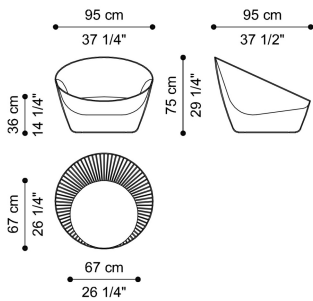
IMPORTANT: IT IS MANDATORY TO AVOID BAD WEATHER AND STORE THE PRODUCT IN A DRY AND VENTILATED AREA. WHEN NOT USED, IT IS ABSOLUTELY RECOMMENDED TO APPLY THE PROPER COVER ON THE PRODUCT TO PRESERVE THE QUALITY AND APPEARANCE OF THE STRUCTURE OVER TIME.

COVER'S PRICE ON DEMAND.

## DIMENSIONS

ARMCHAIR

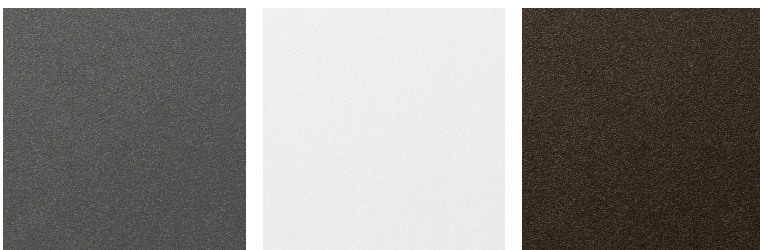
**C.COS.021.A**



L 95 D 95 H 75 CM

## BASE

### OUTDOOR METAL



Outdoor metal  
Micaceous Iron -  
Matt

Outdoor metal  
Micaceous White -  
Matt

Outdoor metal  
Micaceous Bronze -  
Matt

## UPHOLSTERY

### FABRIC / LEATHER

[download the file in the product page](#)