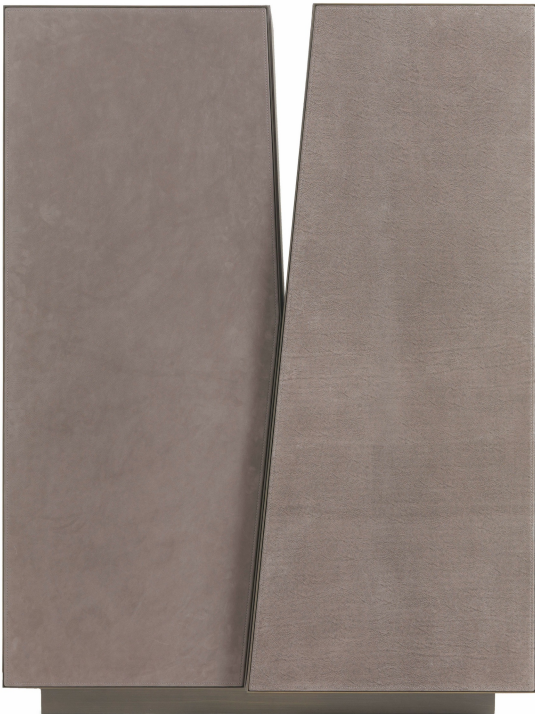


MARTINICA
DAY STORAGE UNITS



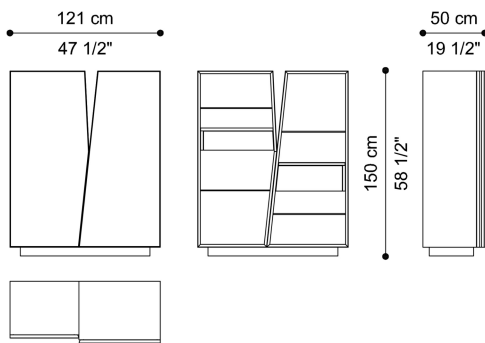
DESCRIPTION

Structure in multilayer wood covered in leather from the collection. Optional UMA quilted leather.
Metal details and base in the brushed finishings from the collection.

DIMENSIONS

CABINET

C.MAT.113.B



L 121 D 50 H 150 CM

OPTIONAL

UMA QUILTING FOR C.MAT.113.B

Available only on plain leather - for doors front

C.COM.922.BMX



BASE

METAL

Brushed Metal



**Metal Brushed
Bronze**




**Metal Brushed Dark
Bronze**



Metal Brushed Gold

UPHOLSTERY

FABRIC / LEATHER

 [download the file in the product page](#)