

TAHITI
ARMCHAIRS

roberto cavalli
HOME
INTERIORS

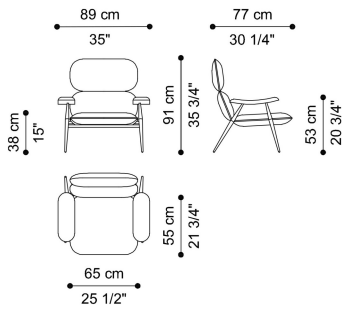


DESCRIPTION

Structure in multilayer wood and foam.
Upholstery in fabric or leather from the collection.
Optional UMA quilting available only on plain leather.
Metal legs in the glossy or brushed finishings from the collection.

DIMENSIONS

ARMCHAIR C.TAH.221.A



L 89 D 77 H 91 CM

OPTIONAL

UMA QUILTING
AVAILABLE ONLY ON PLAIN LEATHER
C.COM.922.HMX



LEGS

METAL



Metal Black Chrome - Glossy



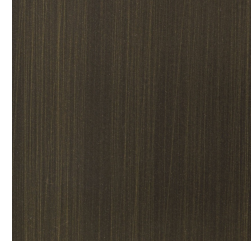
Metal Chrome - Glossy



Metal Gold - Glossy



Metal Brushed Gold




Metal Brushed Dark Bronze



Metal Brushed Bronze


UPHOLSTERY

FABRIC / LEATHER

 [download the file in the product page](#)

ACCESSORIES

DECORATIVE CUSHIONS

 [download the file in the product page](#)