

SNAKE
ARMCHAIRS

roberto cavalli
HOME
INTERIORS

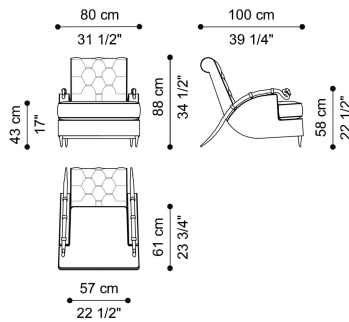


DESCRIPTION

Structure in poplar wood and foam. Upholstery in fabric or leather from the collection.
Internal backrest in capitonné with metal plates in the glossy or brushed finishings from the collection.
Central RC metal plate with Swarovski crystals in Gold finishing.
Snake arms and feet in cast brass with Snakeskin Gold finishing.

DIMENSIONS

ARMCHAIR C.SNA.221.A



L 80 D 100 H 88 CM

FEET/ARMRESTS

METAL



Metal Snakeskin
Gold

DECORATIVE ELEMENTS

METAL



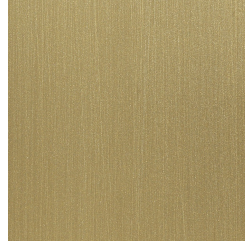
Metal Black Chrome - Glossy



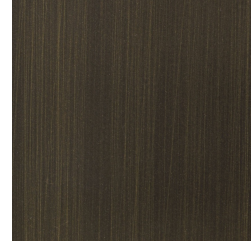
Metal Chrome - Glossy



Metal Gold - Glossy



Metal Brushed Gold




Metal Brushed Dark Bronze



Metal Brushed Bronze


UPHOLSTERY

FABRIC / LEATHER

 [download the file in the product page](#)

ACCESSORIES

DECORATIVE CUSHIONS

 [download the file in the product page](#)