

FIJI
ARMCHAIRS

roberto cavalli

HOME

INTERIORS



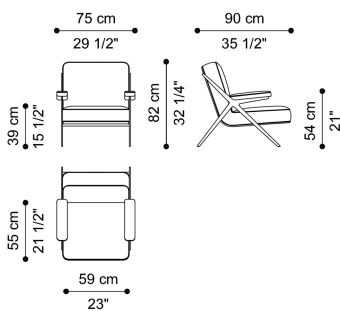
DESCRIPTION

Structure in poplar wood and foam. Upholstery in fabric or leather from the collection.
Optional UMA quilting available only on plain leather. Piping in black leather.
Metal base in the glossy or brushed finishings from the collection.

DIMENSIONS

ARMCHAIR

C.FIJ.221.A



L 75 D 90 H 82 CM

OPTIONAL

UMA QUILTING
AVAILABLE ONLY ON PLAIN LEATHER

C.COM.922.IMX



STRUCTURE

METAL



Metal Black Chrome
- Glossy



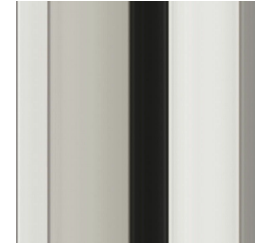
Metal Brushed
Bronze



Metal Brushed Dark
Bronze



Metal Brushed Gold



Metal Chrome -
Glossy



Metal Gold - Glossy

UPHOLSTERY

FABRIC / LEATHER

[download the file in the product page](#)

ACCESSORIES

DECORATIVE CUSHIONS

[download the file in the product page](#)