

COSMOPOLITAN
ARMCHAIRS

roberto cavalli
HOME
INTERIORS

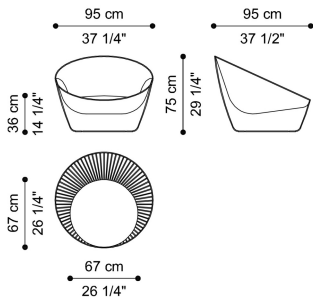


DESCRIPTION

Seat cushion in poplar wood and foam.
Upholstery in fabric or leather from the collection.
Metal base in the glossy or brushed finishings from the collection.

DIMENSIONS

ARMCHAIR C.COS.221.A



L 95 D 95 H 75 CM

BASE

METAL



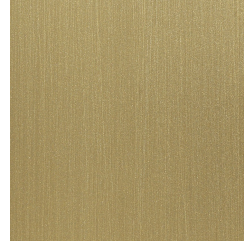
Metal Black Chrome - Glossy



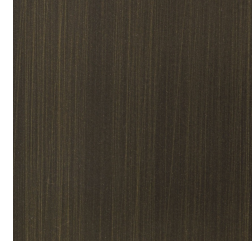
Metal Chrome - Glossy



Metal Gold - Glossy



Metal Brushed Gold




Metal Brushed Dark Bronze



Metal Brushed Bronze

UPHOLSTERY

FABRIC / LEATHER

 [download the file in the product page](#)

ACCESSORIES

DECORATIVE CUSHIONS

 [download the file in the product page](#)