

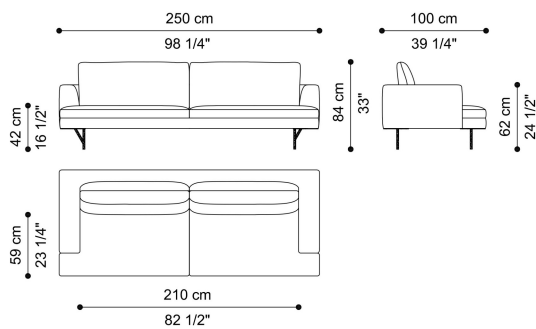


**DESCRIPTION**

Structure in solid poplar wood and multilayer pine wood with elastic webbing.  
 Seat cushions in variable thickness high density expansive polyurethane foam and memory foam.  
 Back cushions in goose down with expansive polyurethane foam inserts.  
 Upholstery in fabric or leather from the collection.  
 Feet in hammered brass with Gold finishing.  
 Removable lining.

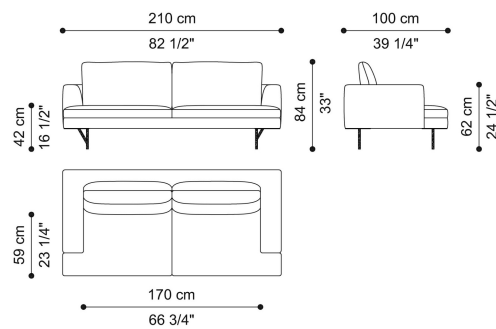
**DIMENSIONS**

**3-SEATER SOFA**  
**C.MAD.211.A**



L 250 D 100 H 84 CM

**2-SEATER SOFA**  
**C.MAD.211.B**



L 210 D 100 H 84 CM

---

**FEET**

**METAL**




**Hammered Brass**  
**Gold**

---

**UPHOLSTERY**


**FABRIC / LEATHER**

 [download the file in the product page](#)

---

**ACCESSORIES**

**DECORATIVE CUSHIONS**

 [download the file in the product page](#)