

SHARPEI  
ARMCHAIRS

roberto cavalli  
HOME  
INTERIORS

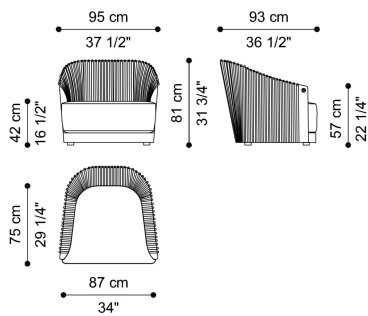


## DESCRIPTION

Structure in poplar wood and foam.  
Upholstery in fabric or leather from the collection.  
Decorative metal spheres in the glossy or brushed finishings from the collection (Brushed Bronze excluded).

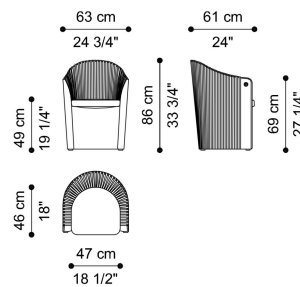
## DIMENSIONS

### ARMCHAIR C.SHA.221.A



L 95 D 93 H 81 CM

### ARMCHAIR C.SHA.228.A



L 63 D 61 H 86 CM

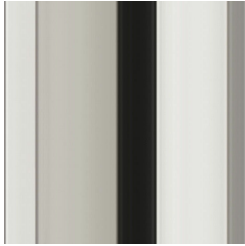
---

DECORATIVE ELEMENTS

**METAL**



Metal Black Chrome - Glossy



Metal Chrome - Glossy



Metal Gold - Glossy



Metal Brushed Gold



Metal Brushed Dark Bronze

---

UPHOLSTERY

**FABRIC / LEATHER**

[📄 download the file in the product page](#)

---

ACCESSORIES

**DECORATIVE CUSHIONS**

[📄 download the file in the product page](#)